

1 2 3 4 5

A

B

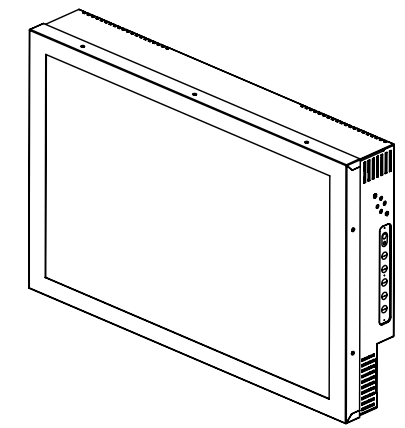
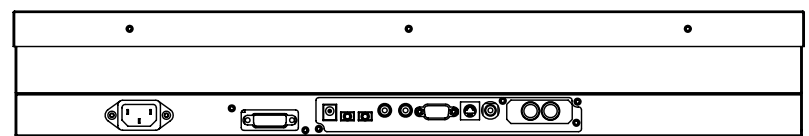
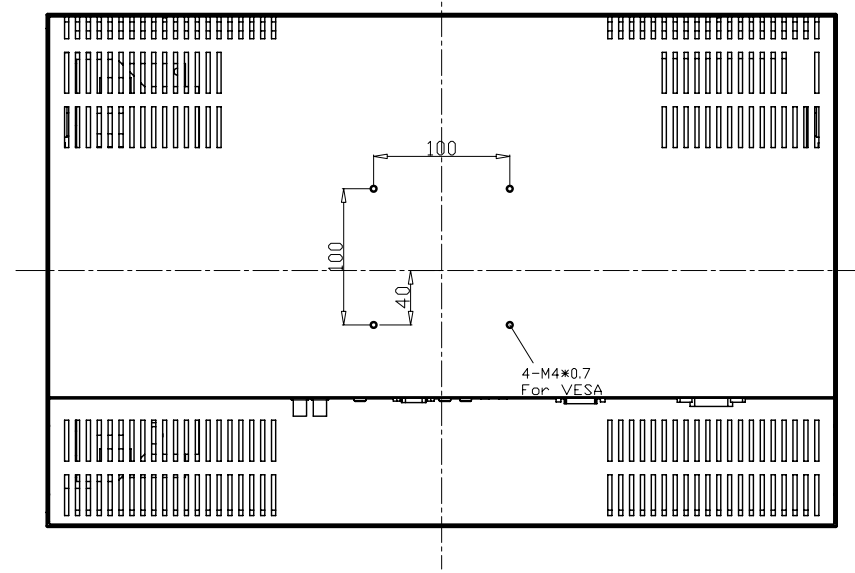
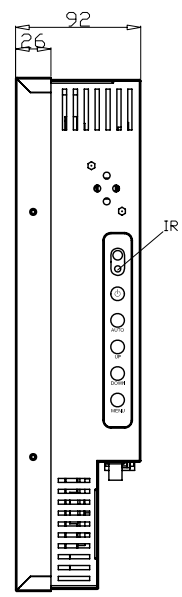
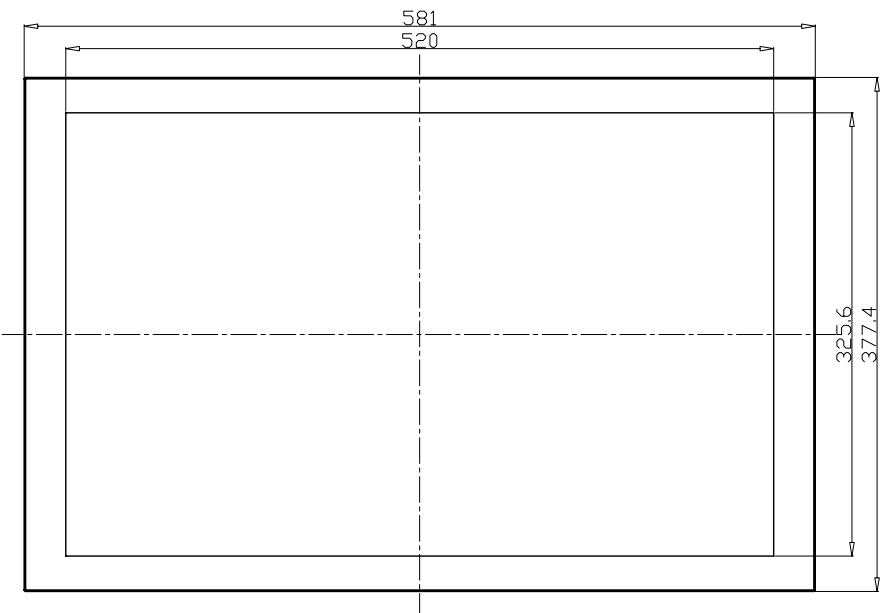
C

A

B

C

D



AD/BOARD		MODEL		C2415		泓瑜科技有限公司 WINSONIC TECH. CO., LTD.					
INVERTER		PART NO.								PART NAME	
KEY PAD		MATERIAL		SECC		APPROVED		DRAWN		JACK	
PANEL:		DATE		02/20/2009		REV.		DWG		SIZE	
AU-M240UW01-V0											
LG-LM240WU4											

1 2 3 4 5