

1 2 3 4 5

A

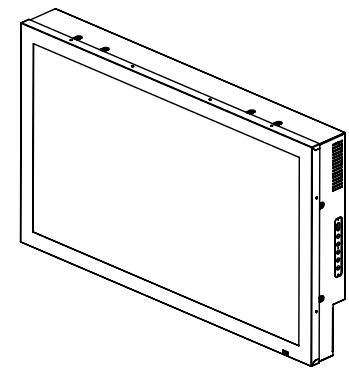
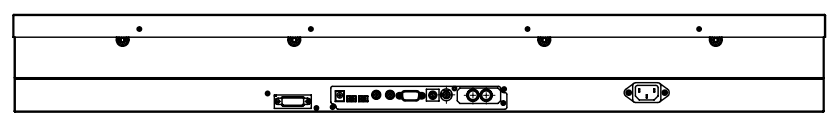
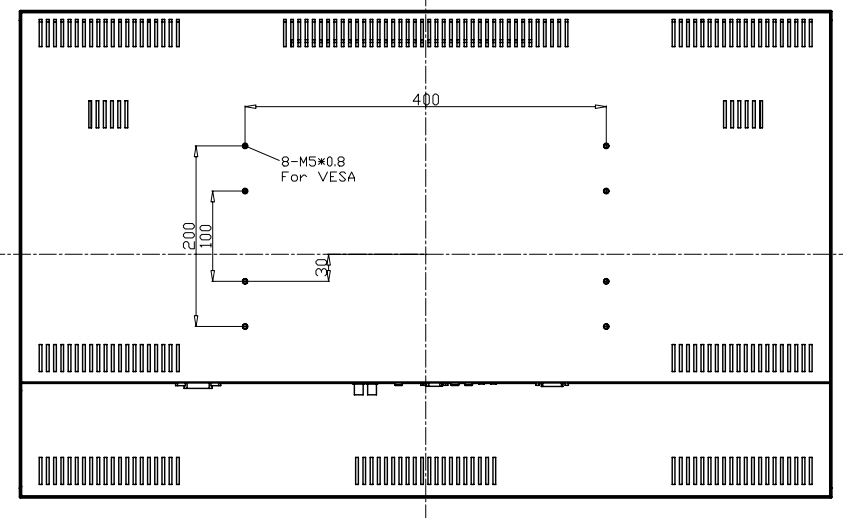
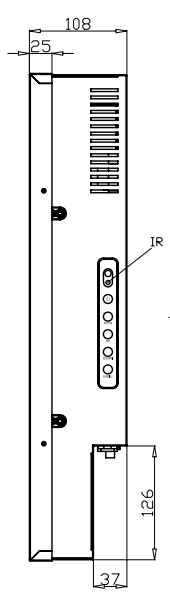
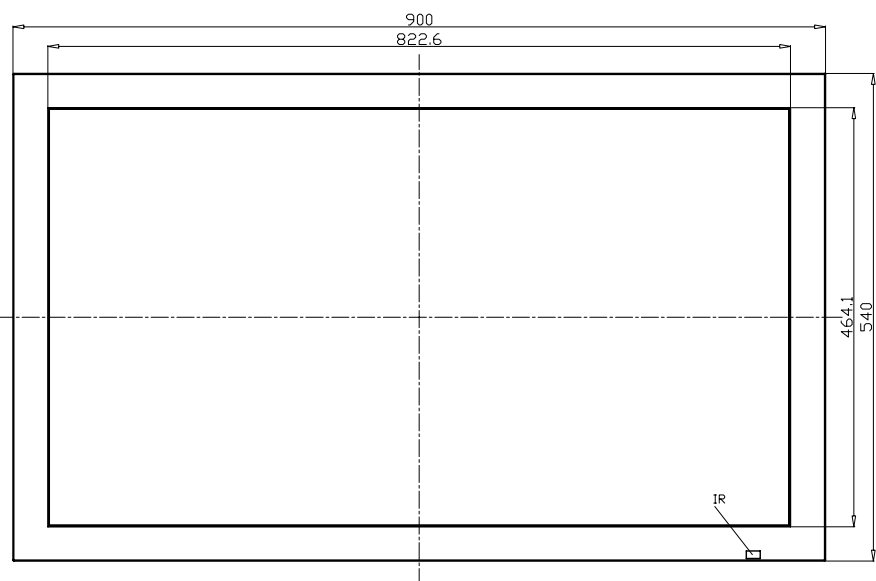
B

C

A

B

C



D

D

AD/BOARD	YNL-6062/2523BVL/2023-9906	MODEL	C3705v3		泓瑜科技有限公司 WINSONIC TECH. CO., LTD.						
INVERTER		PART NO.							PART NAME	Assembly	
KEY PAD	PCBKEY019A0/YNL-KEY	MATERIAL		DATE	06/26/2008	APPROVED		DRAWN	JACK		
PANEL:	AU-T420XW01										REV.
										DWG	SIZE

1 2 3 4 5