

1 2 3 4 5

A

B

C

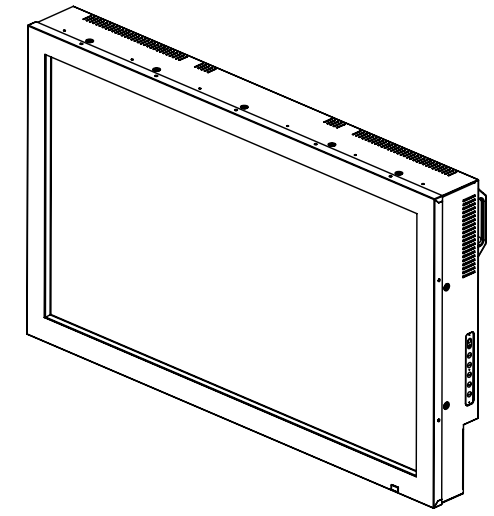
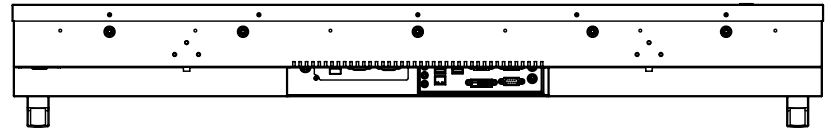
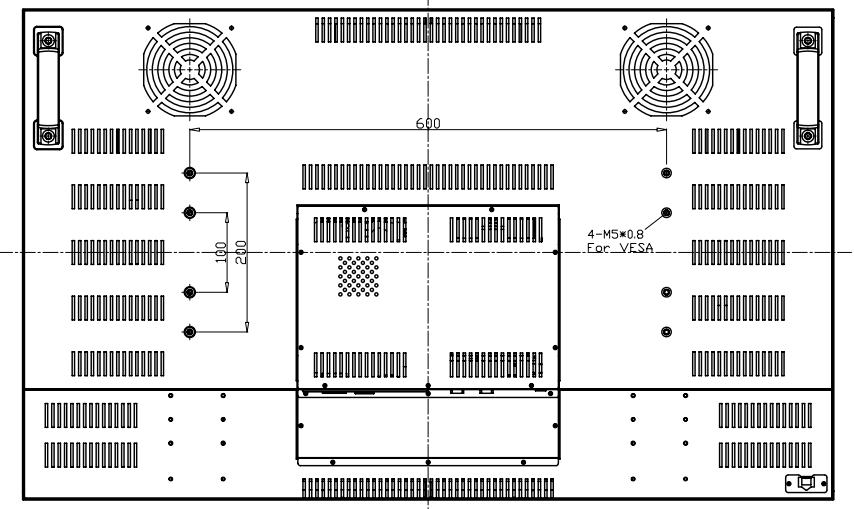
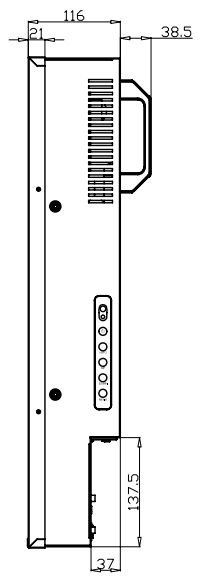
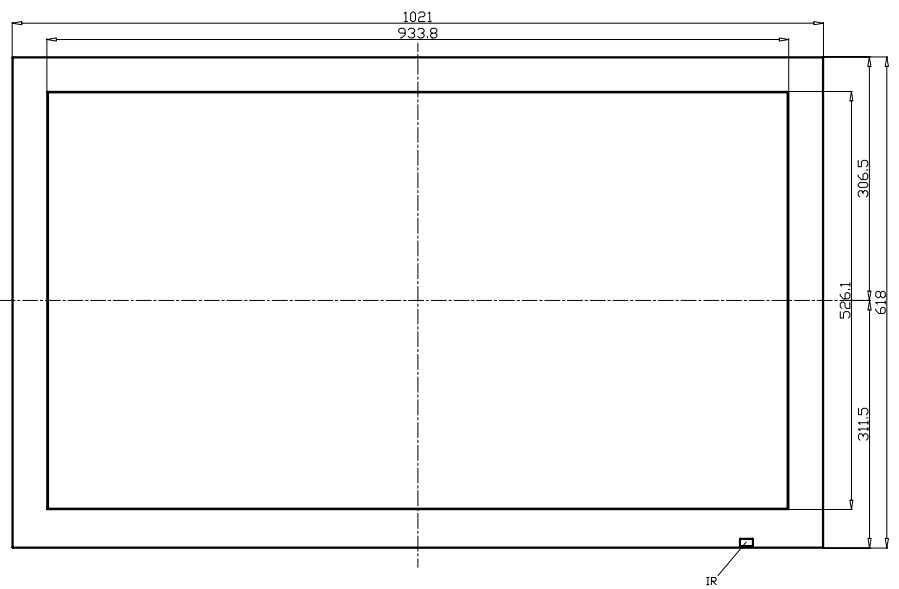
A

B

C

D

D



AD/BOARD		MODEL	C4204			泓瑜科技有限公司 WINSONIC TECH. CO., LTD.				
INVERTER										
KEY PAD		PART NO.				PART NAME		Assembly-without-stand		
PANEL:						DRAWN		JACK		
AU-T420HW01		MATERIAL	DATE		07/23/2008		REV.			
							DWG	SIZE		

1 2 3 4 5